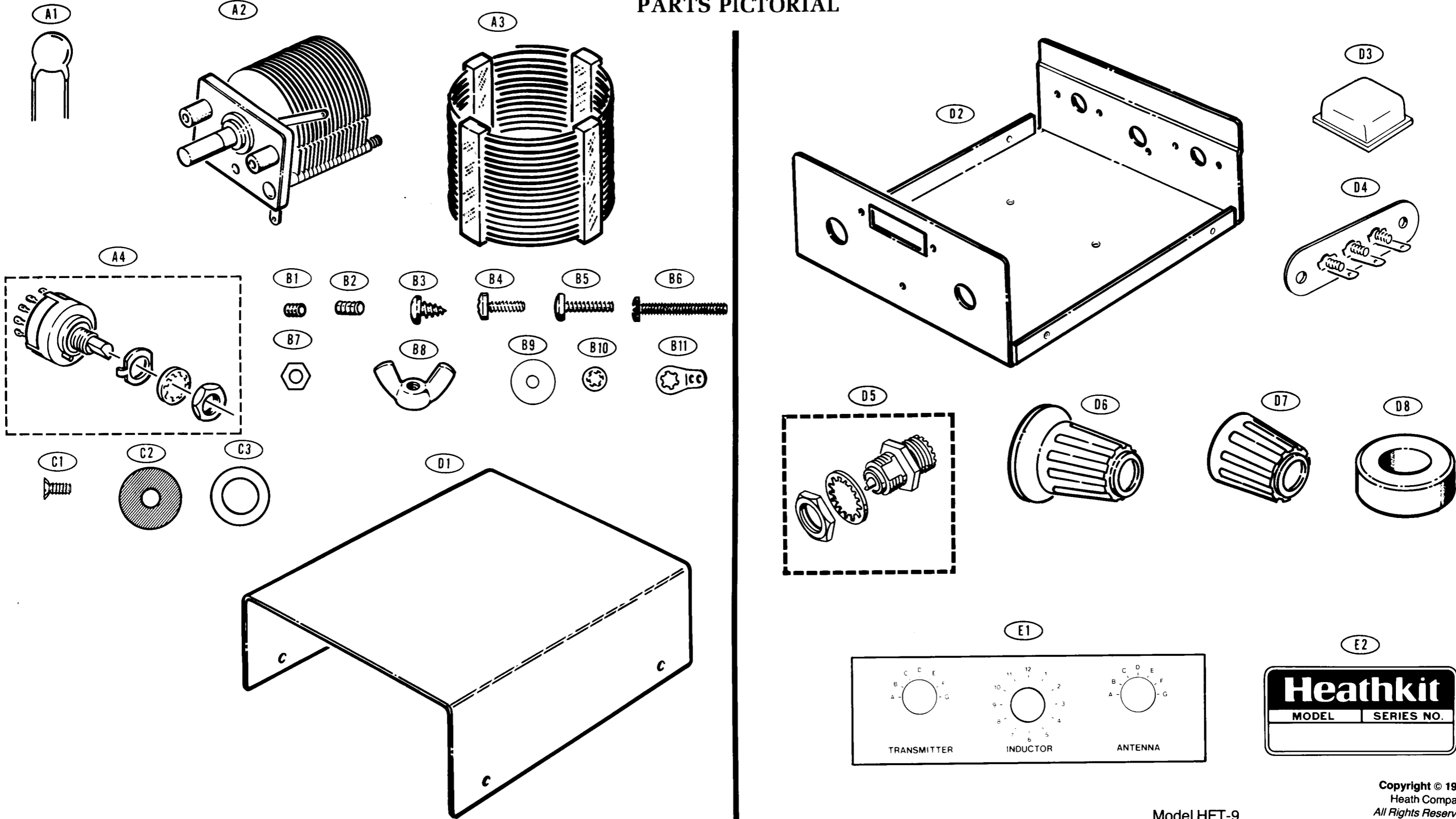


# ILLUSTRATION BOOKLET

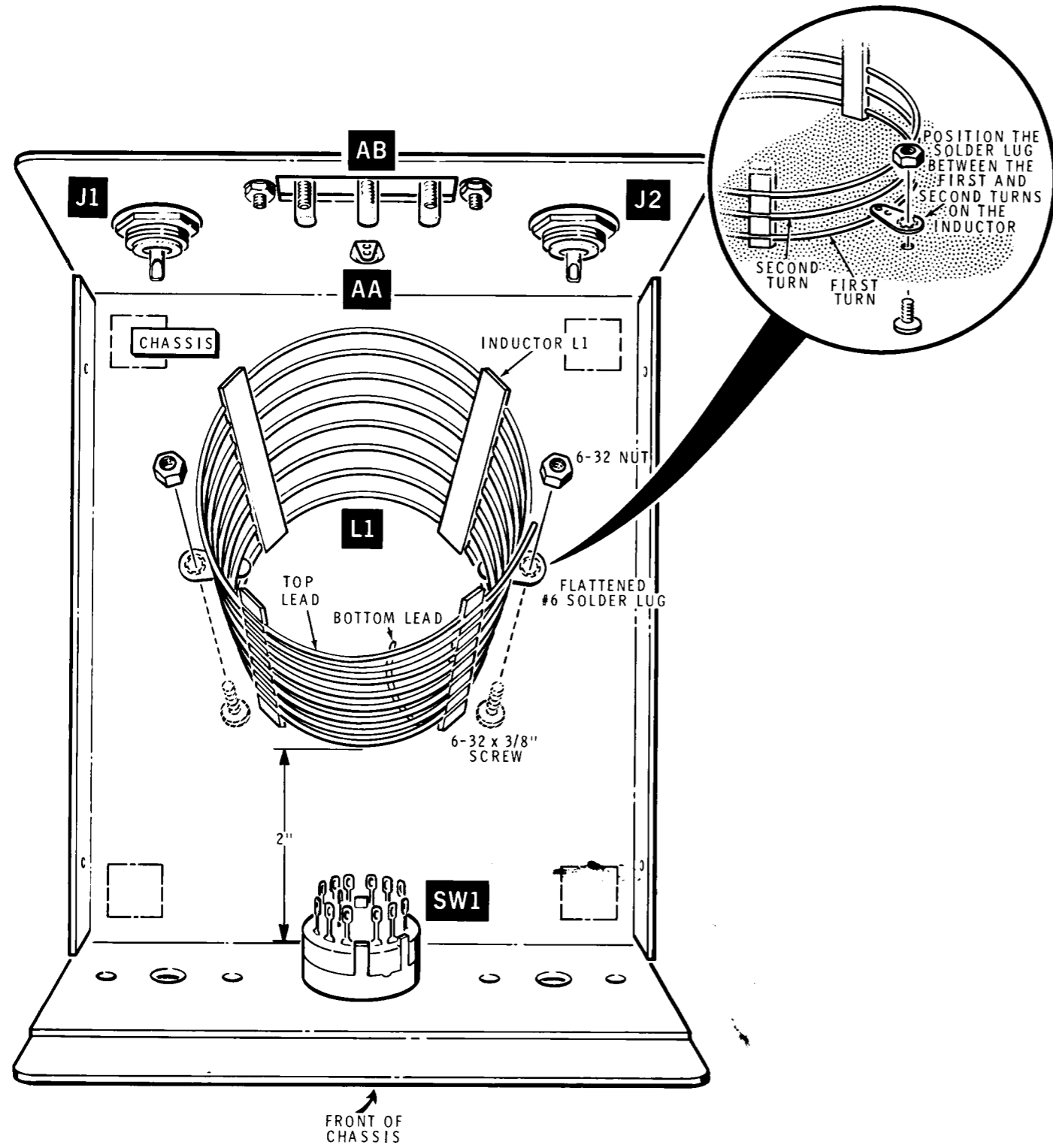
Part of 595-2948

## PARTS PICTORIAL

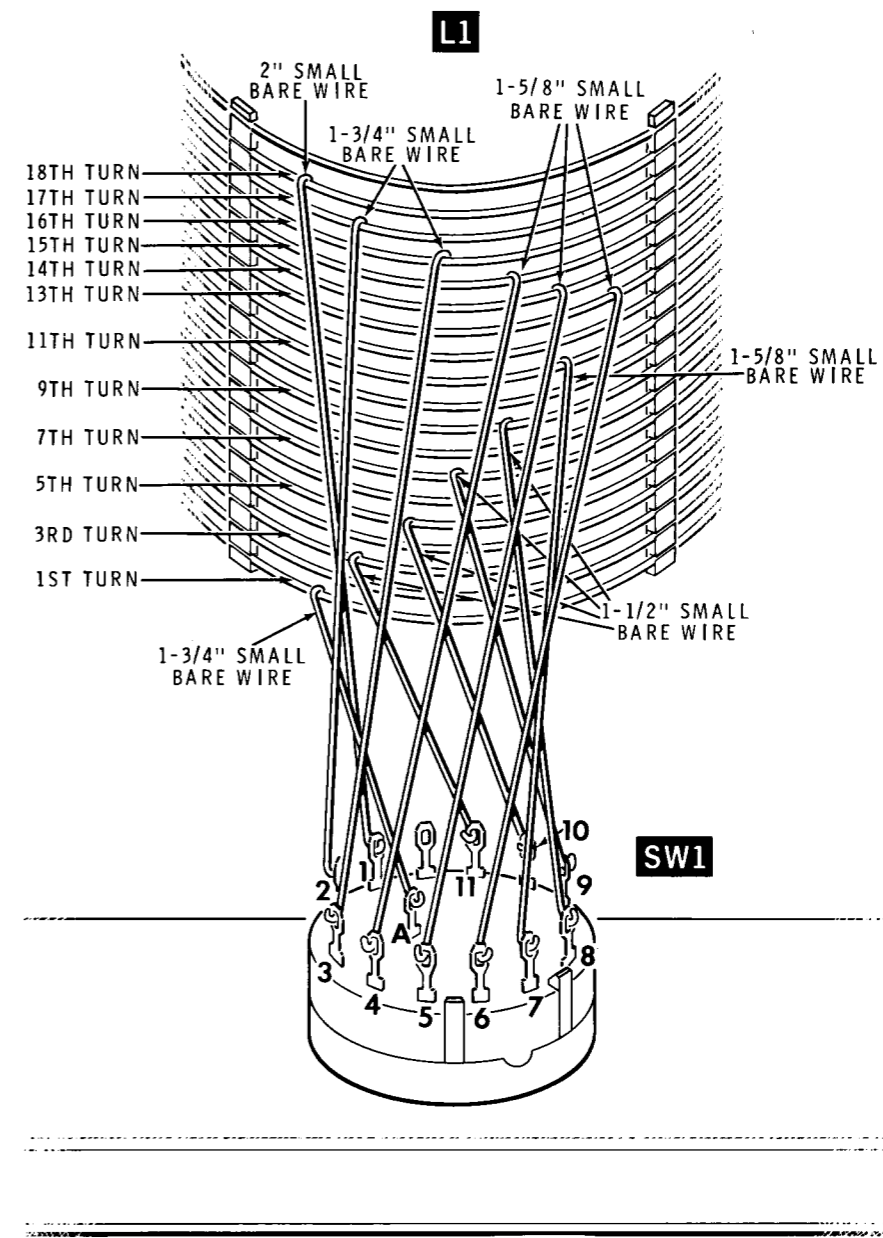


Model HFT-9

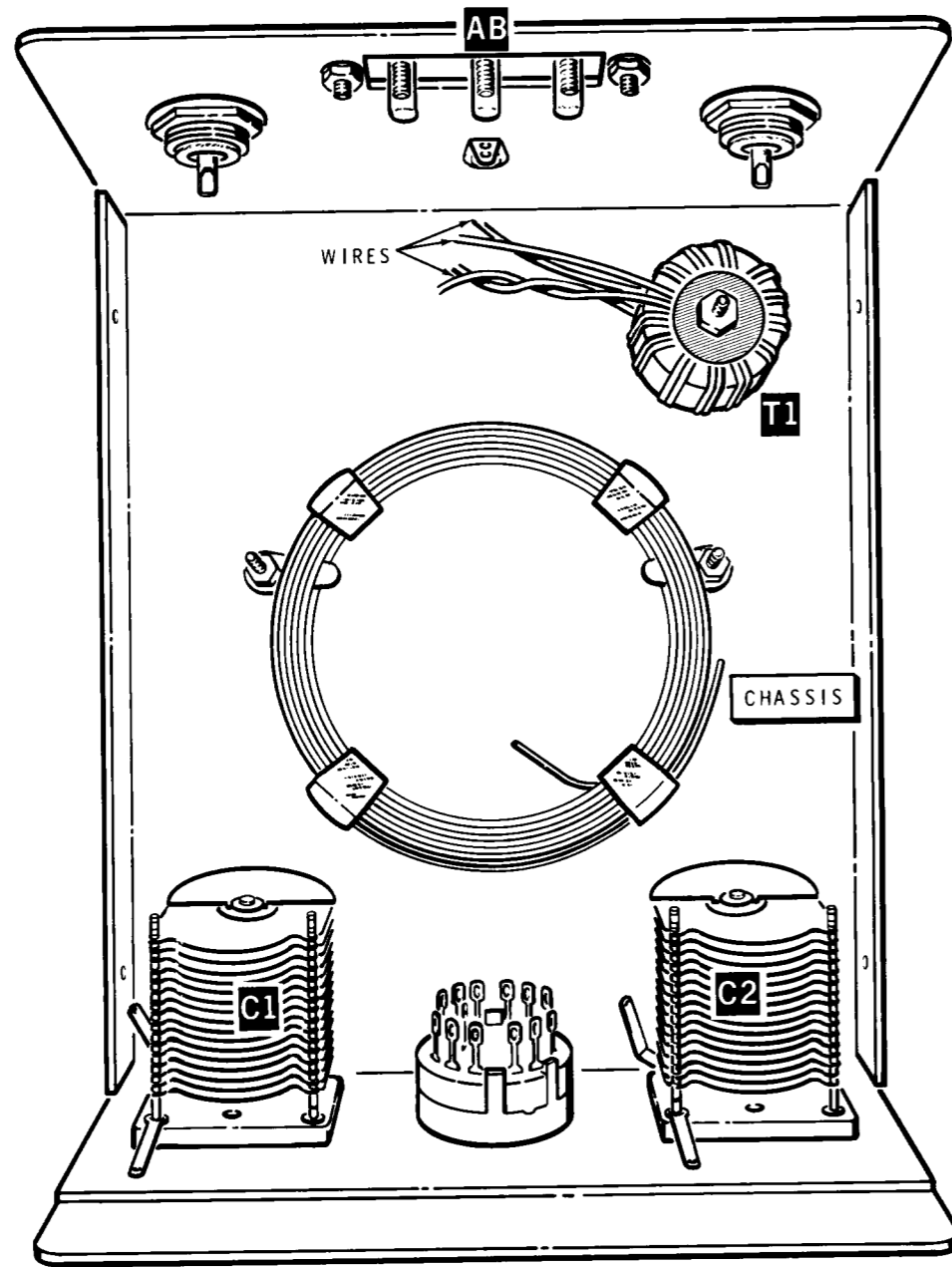
Copyright © 1983  
Heath Company  
All Rights Reserved  
Printed in the United States of America



PICTORIAL 1-1



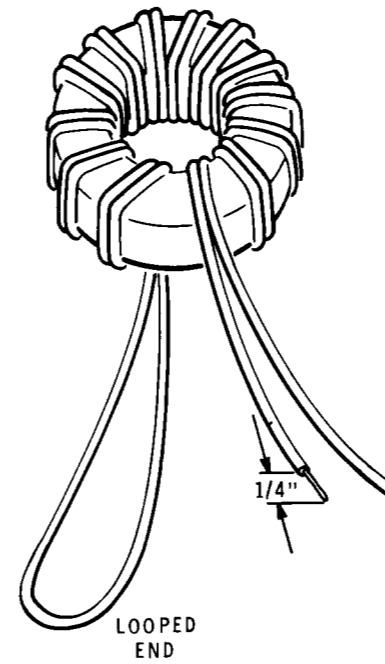
PICTORIAL 1-2



PICTORIAL 1-3

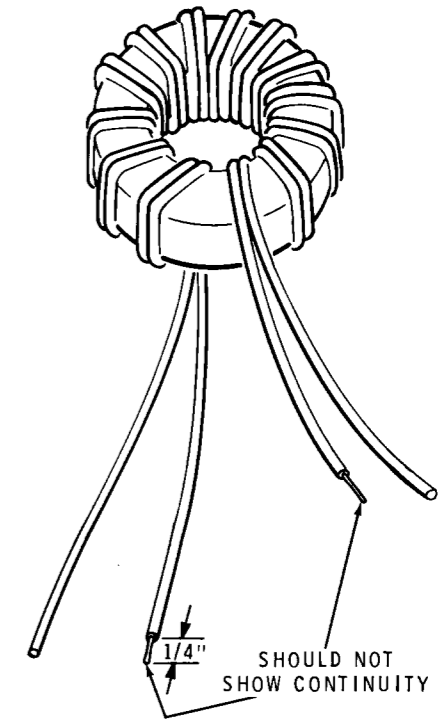
PART A

BALUN



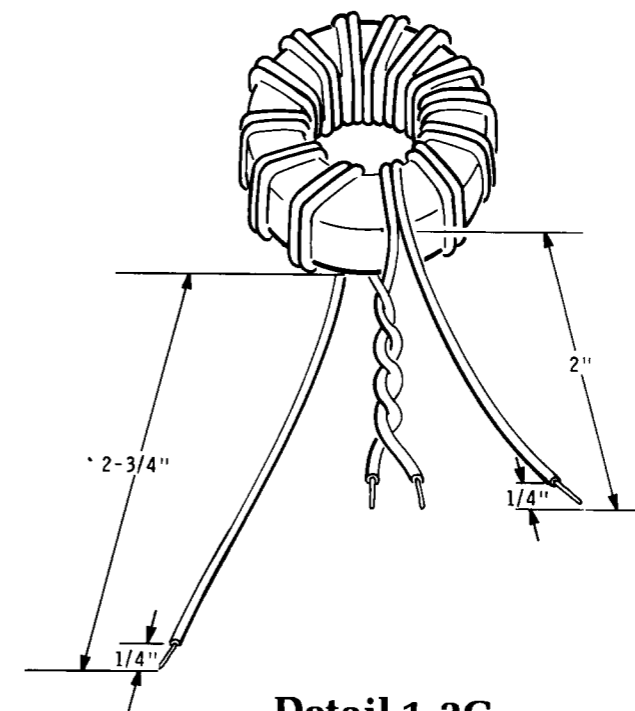
PART B

BALUN

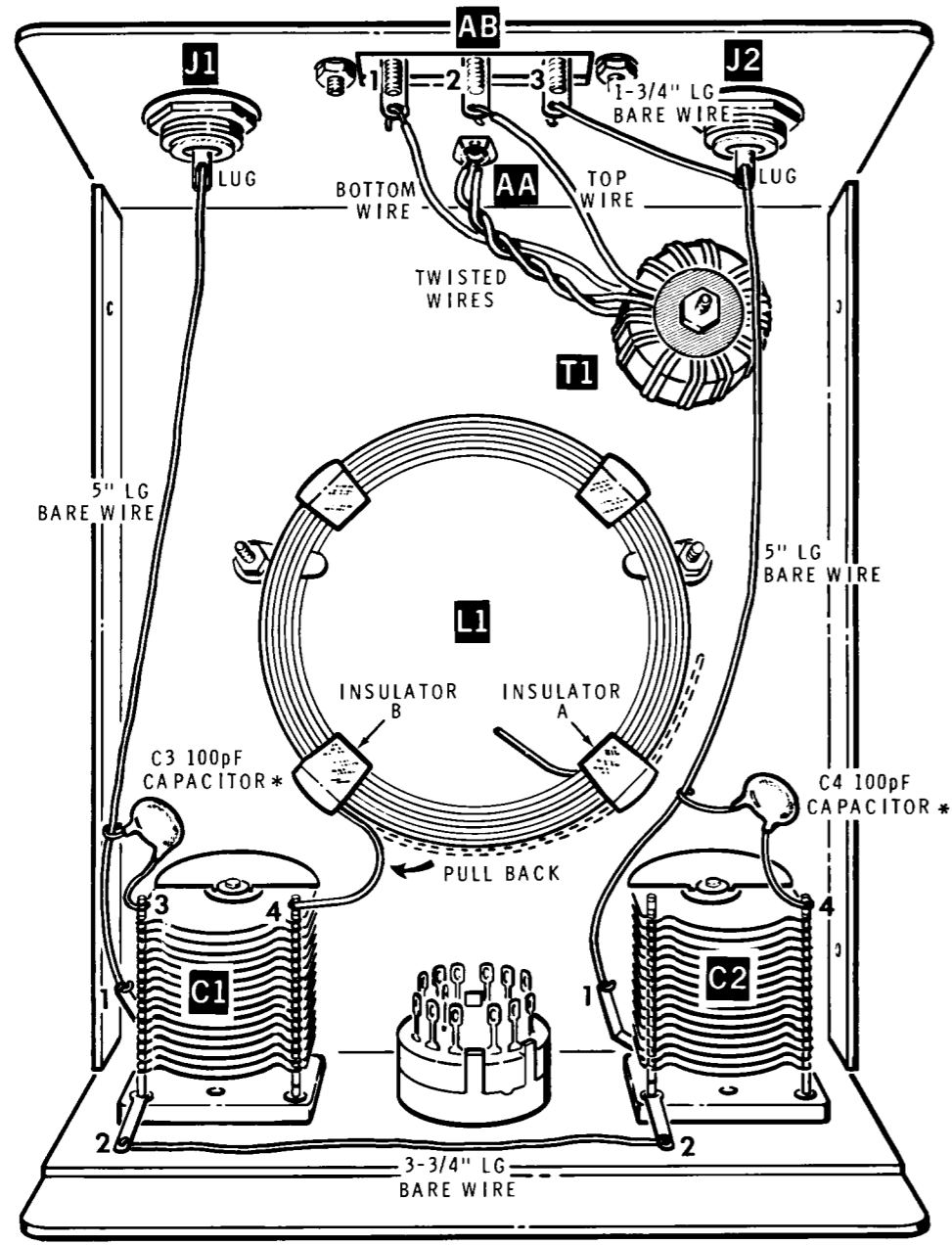


PART C

BALUN

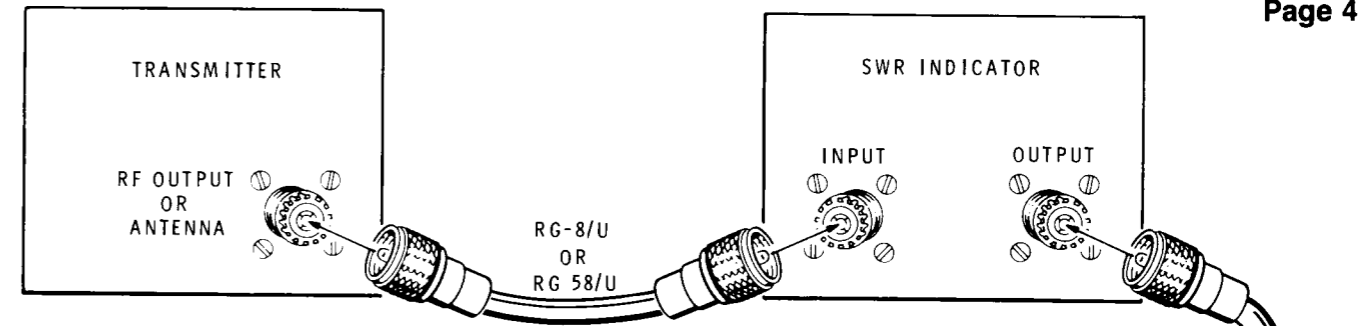


Detail 1-3C

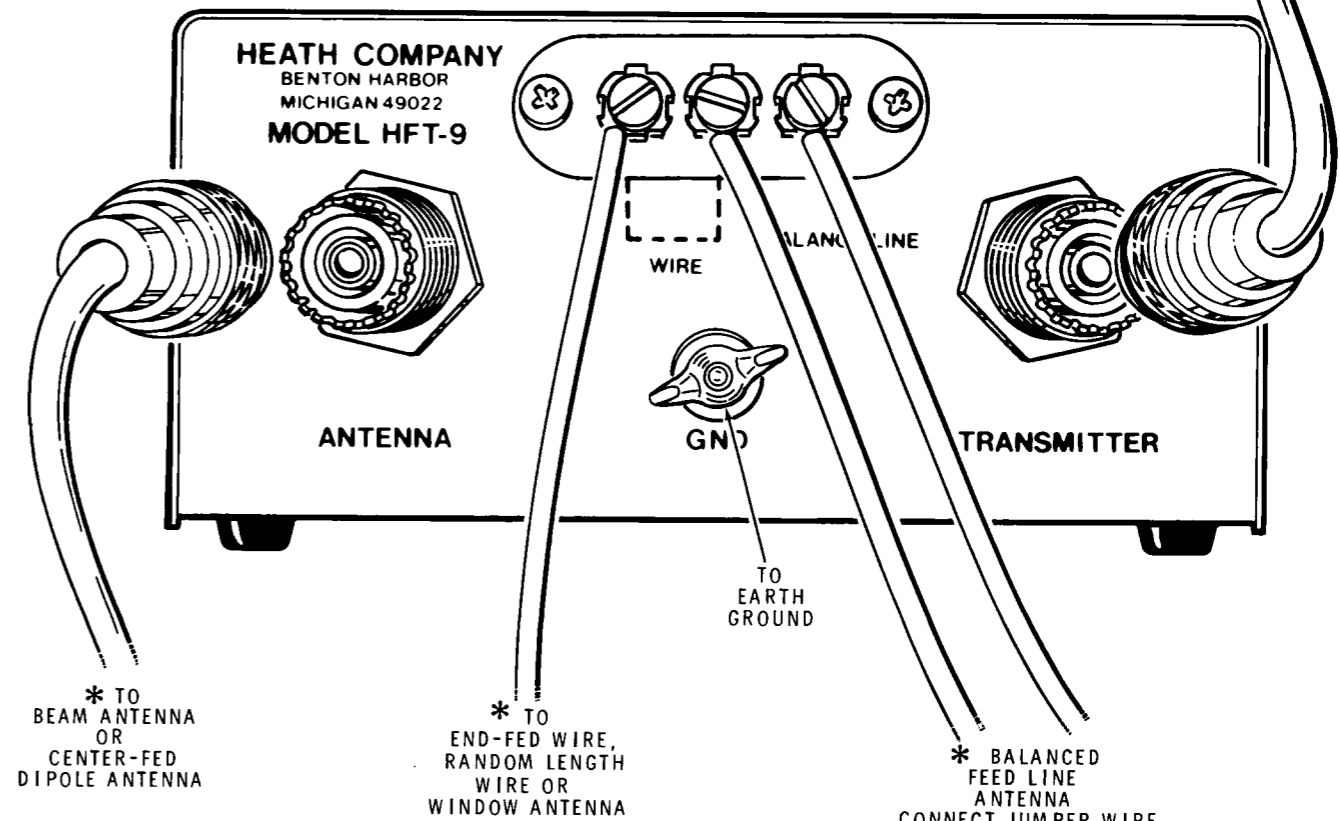


\* INSTALL FOR OPERATION ON 160 METERS ONLY.

PICTORIAL 1-4



\* BE SURE THAT ONLY ONE ANTENNA IS CONNECTED TO YOUR ANTENNA TUNER AT ONE TIME.

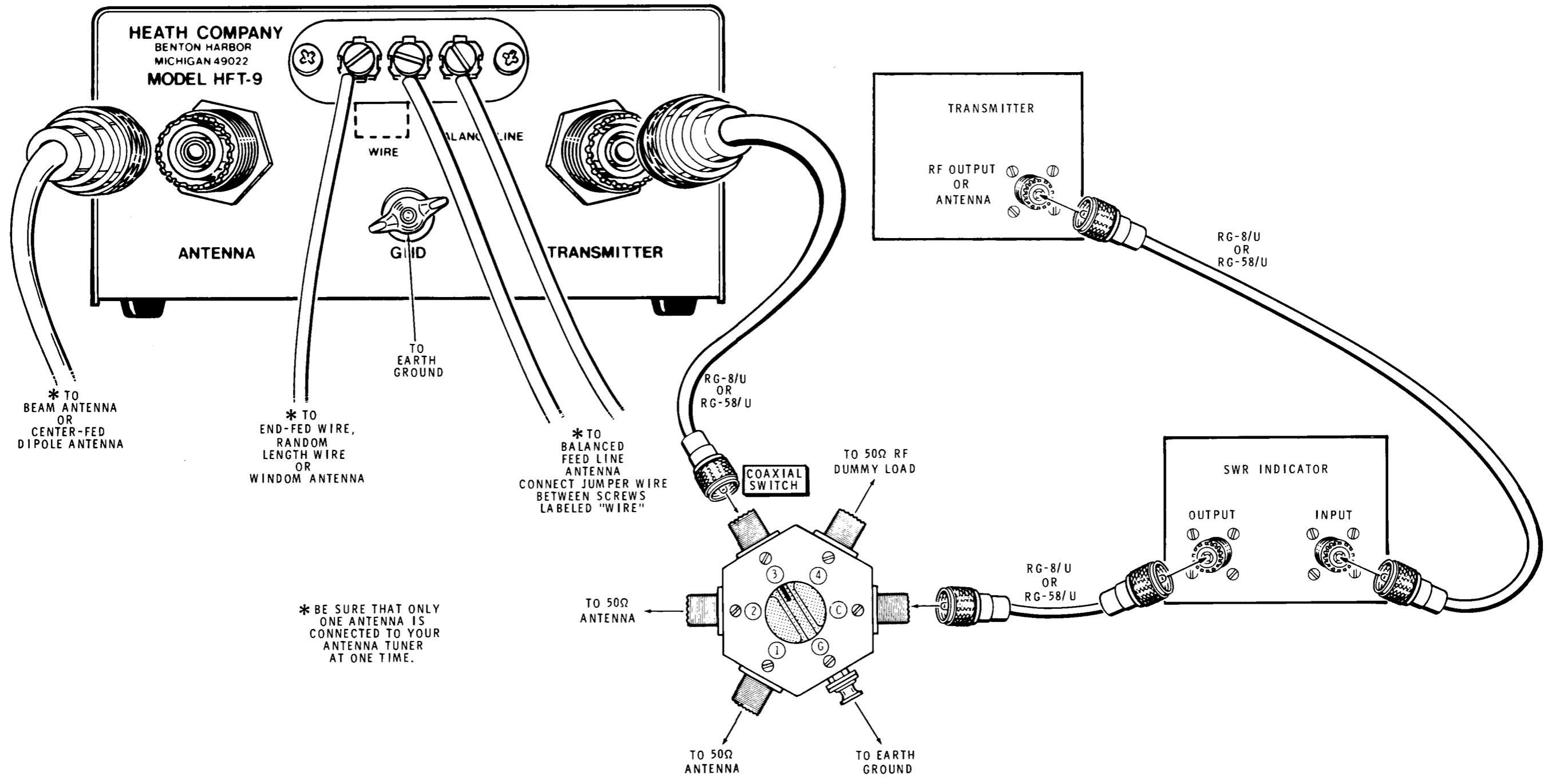


\* TO BEAM ANTENNA OR CENTER-FED DIPOLE ANTENNA

\* TO END-FED WIRE, RANDOM LENGTH WIRE OR WINDOW ANTENNA

\* BALANCED FEED LINE ANTENNA CONNECT JUMPER WIRE BETWEEN SCREWS LABELED "WIRE"

PICTORIAL 2-1



PICTORIAL 2-2